

ILLUSTRATED PARTS LIST

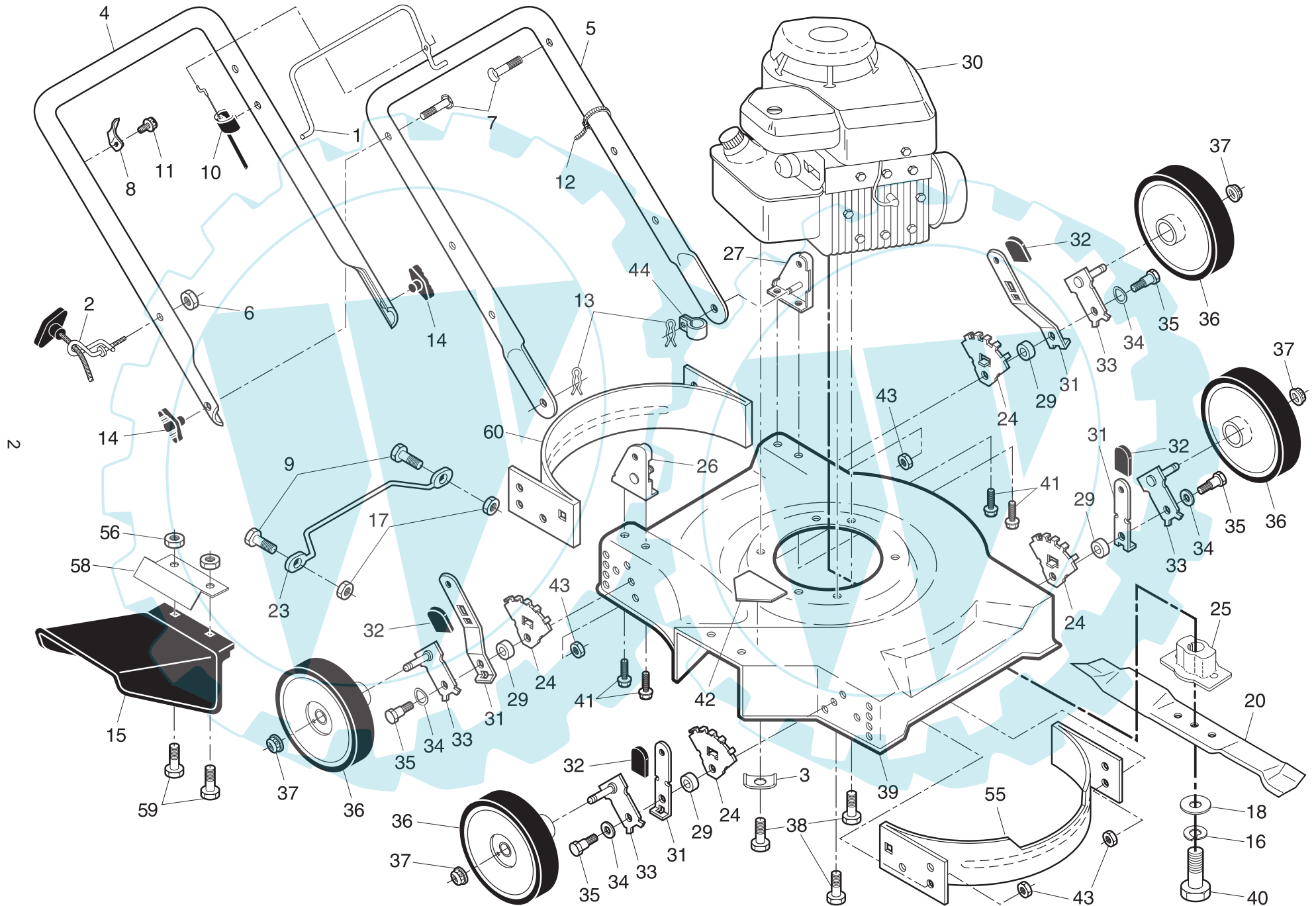
MODEL NUMBER FL350KD

PRODUCT NUMBER 961 11 00-03

MFG. ID. NUMBER 96111000301



ROTARY LAWN MOWER - - MODEL NUMBER FL350KD (96111000301) PRODUCT NUMBER 961 11 00-03



ROTARY LAWN MOWER - - MODEL NUMBER FL350KD (96111000301) PRODUCT NUMBER 961 11 00-03

KEY NO.	PART NO.	DESCRIPTION
1	532 19 60-25	Control Bar
2	532 19 47-88	Rope Guide
3	532 12 50-78	Engine Washer
4	532 19 60-26	Upper Handle
5	532 15 50-44	Lower Handle
6	532 13 20-04	Nut, Hex
7	532 19 15-74	Handle Bolt 5/16-18 x 1-3/4
8	532 12 52-03	Up-Stop Bracket
9	532 08 58-25	Screw
10	532 16 27-78	Engine Zone Control Cable
11	532 75 06-34	Nut, Hex
12	532 06 64-26	Wire Tie
13	532 05 17-93	Hairpin Cotter
14	532 19 19-38	Handle Knob
15	532 41 35-68	Discharge Guard
16	532 85 02-63	Helical Lockwasher 3/8
17	532 06 91-80	Nut, Hex
18	532 85 10-74	Hardened Washer
20	532 14 51-06	Blade, 20"
23	532 15 41-47	Footguard
24	532 41 08-07	Wheel Adjusting Bracket
25	532 85 09-77	Blade Adapter
26	532 17 09-75	Handle Bracket Assembly, RH
27	532 17 09-77	Handle Bracket Assembly, LH
29	532 40 16-29	Spacer

KEY NO.	PART NO.	DESCRIPTION
30	- - -	Engine, Briggs & Stratton, Model Number 9D902 (order parts from engine manufacturer)
31	532 40 64-28	Selector Spring
32	532 08 78-77	Selector Knob
33	532 40 78-71	Axle Arm Assembly
34	532 40 16-30	Curved Washer
35	532 14 27-48	Shoulder Bolt
36	532 40 38-59	Wheel & Tire Assembly
37	532 40 91-48	Nut, Hex
38	532 15 04-06	Hex Head Thread Rolling Screw 3/8-16 x 1-1/8
39	532 19 66-46	Lawn Mower Housing
40	532 85 10-84	Hex Head Screw 3/8-24 x 1-3/8 Grade 8
41	532 14 97-41	Thread Cutting Screw 5/16-18 x 3/4
42	532 18 21-66	Danger Decal
43	532 75 15-92	Locknut, Hex 3/8-16
44	532 19 79-91	Clip, Cable
45	532 12 84-15	Pop Rivet
55	532 14 15-19	Front Baffle
56	873 80 04-00	Nut, Hex
58	532 16 22-34	Hold Down Defl. Brkt.
59	874 76 04-12	Screw Hex Hd. Cap. 1/4
60	532 14 15-20	Rear Baffle
--	532 40 98-64	Operator's Manual, Euro
--	532 40 98-65	Operator's Manual, Scandinavian

3

NOTE: All component dimensions given in U.S. inches. 1 inch = 25.4 mm. **IMPORTANT:** Use only Original Equipment Manufacturer (O.E.M.) replacement parts. Failure to do so could be hazardous, damage your lawn mower and void your warranty.